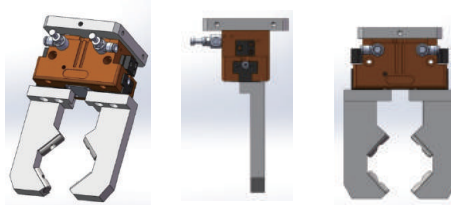


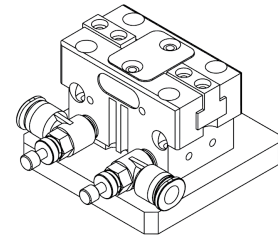
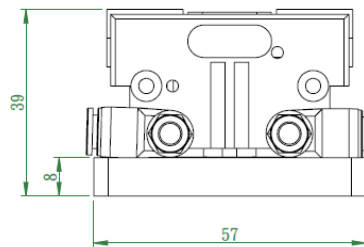
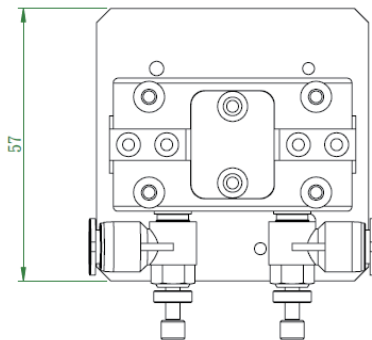
### 訂購代號 How to order

<b>RSGN</b>	<b>50</b>
機種仕樣	缸徑
	50 - RGN+50-1 66 - RGN+66-1 80 - RGN+80-1 100 - RGN+100-1



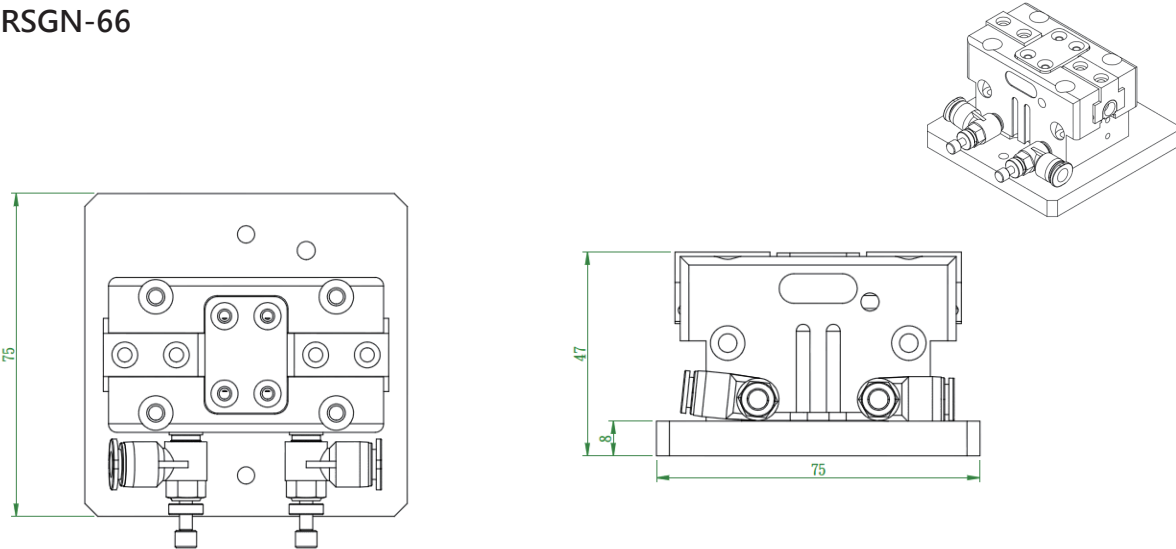
### 技術資料 Technical data

#### RSGN-50



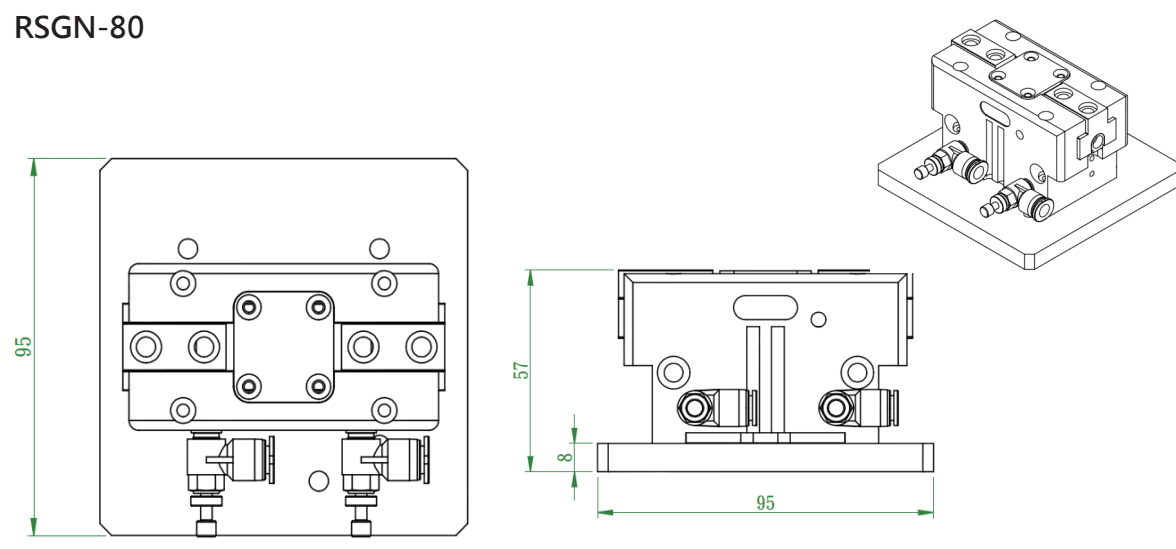
外觀尺寸圖 Dimensions

**RSGN-66**



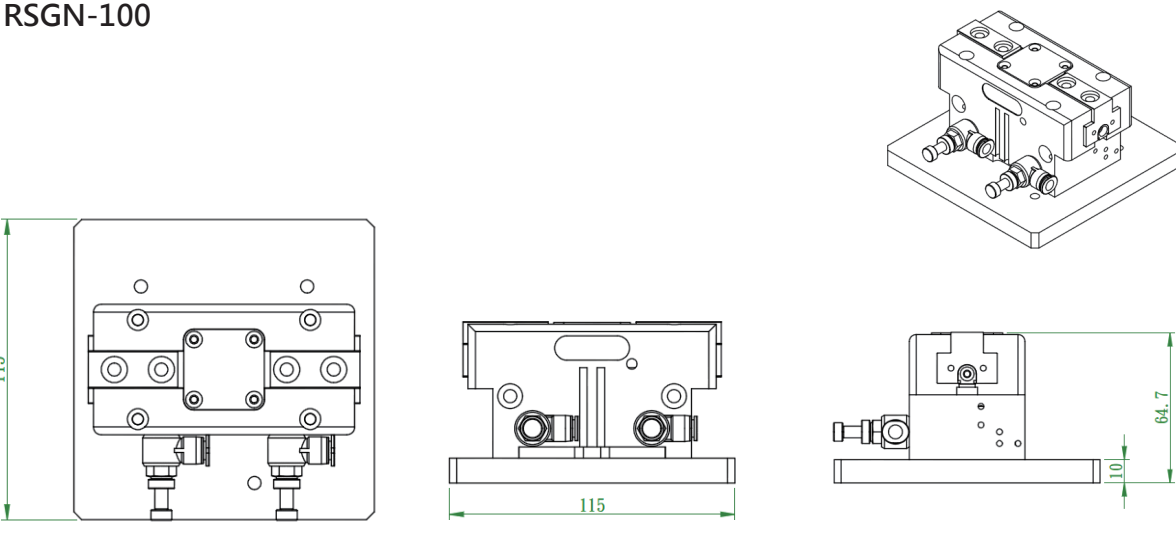
Technical drawings of the RSGN-66 valve. The front view shows a width of 75. The side view shows a height of 47, a base thickness of 8, and a width of 75. An isometric view is also provided.

**RSGN-80**



Technical drawings of the RSGN-80 valve. The front view shows a width of 95. The side view shows a height of 57, a base thickness of 8, and a width of 95. An isometric view is also provided.

**RSGN-100**



Technical drawings of the RSGN-100 valve. The front view shows a width of 115. The side view shows a width of 115. Another side view shows a height of 64.7 and a base thickness of 10. An isometric view is also provided.

**RSGN**