

技術資料 Technical data

● 介紹及應用 Introduction and application

搬運表面平整光滑的工件
 耐磨的不銹鋼吸盤本體
 密封圈牢固嵌入在吸盤本體中，可快速更換
 用於玻璃行業的浮法玻璃及回火工序
 Handle workpieces with flat and smooth surfaces
 Wear-resistant stainless steel suction cup body
 The sealing ring is firmly embedded in the suction cup body and can be quickly replaced
 Float glass and tempering process for glass industry

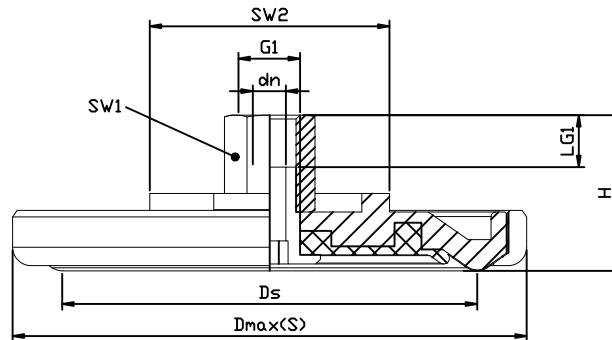
● 結構 Structure

耐磨的不銹鋼吸盤本體
 密封圈牢固嵌入在吸盤本體中，可快速更換
 密封圈由特殊耐高溫紡織材料製成
 Wear-resistant stainless steel suction cup body
 The sealing ring is firmly embedded in the suction cup body and can be quickly replaced
 Seal ring made of special high temperature resistant textile material

● 詳細資料 Details

型號	吸力 N	內部體積 cm ³	工件最小曲率半徑(凸型) mm	壓力=-0.7 bar 時 所需吸力 l/min	重量 g	推薦軟管直徑 d mm
VWH-35-BL-G1/8-IH	47	4	90	55	225	4
VWH-60-BL-G1/4-IH	130	12	440	78	375	6
VWH-90-BL-G1/4-IH	320	25	1060	100	675	6
VWH-140-BL-G3/8-IH	740	50	1700	120	1390	9

● 圖面資料 Drawing information



型號	尺寸 mm								
	dn	D1	Ds	G1	H	LG1	SW1	SW2	
VWH-35-BL-G1/8-IH	5	53	35	G1/8"-F	29	12	14	27	
VWH-60-BL-G1/4-IH	7	80	58	G1/4"-F	39	12	17	27	
VWH-90-BL-G1/4-IH	7	112	90	G1/4"-F	39	12	17	46	
VWH-140-BL-G3/8-IH	8	160	138	G3/8"-F	39	12	22	95	